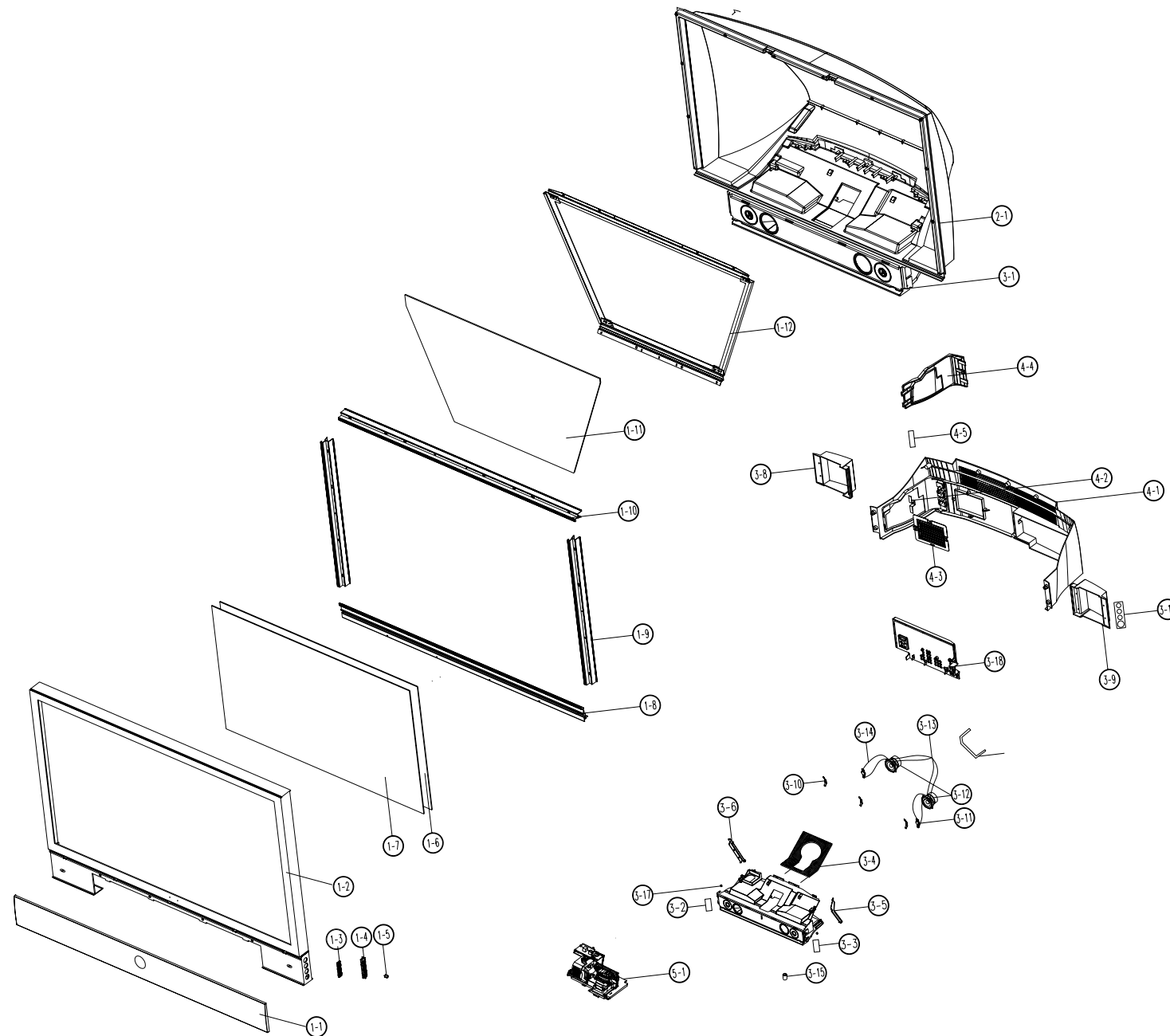


7. Exploded View & Parts List

7-1 HLM617WS/XAA

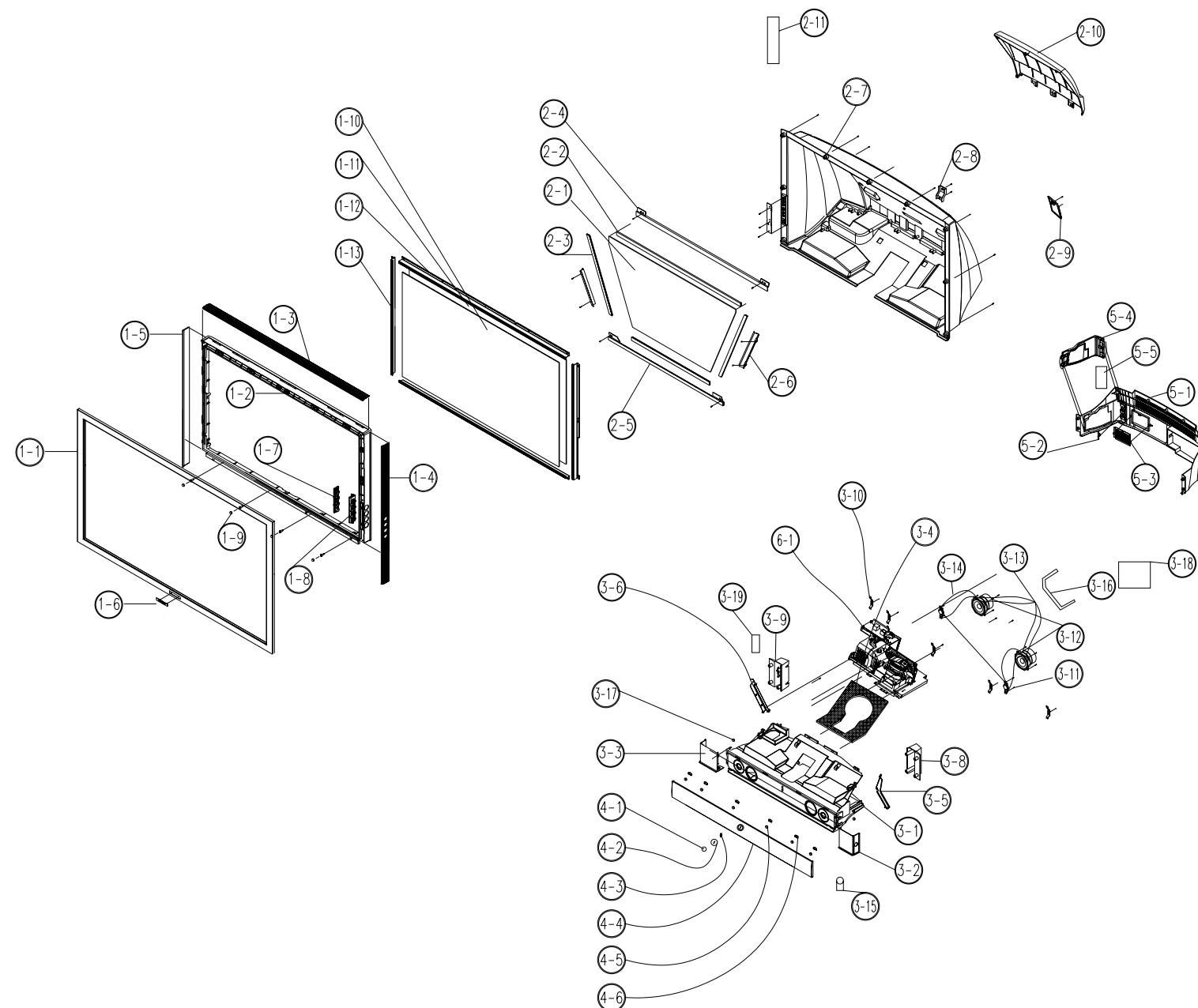
You can search for the updated part code through ITSELF web site.
URL : <http://itself.sec.samsung.co.kr>



No	Code No	Description	Specification	Q'ty	S.N.A
1-1	BP96-00256A	ASSY COVER P-GRILL;DP,BP96-00157E,61L2,M		1	S.N.A
1-2	BP96-00257A	ASSY COVER P-FRONT;DP,BN63-00372F,61L2,M		1	S.N.A
1-3	BP64-00072A	KNOB-FAMILY;617W,ABS HB,GRAY		1	
1-4	BP64-00074A	KNOB-HOLDER;617W,ABS HB,GRAY		1	
1-5	BP64-00073A	KNOB-POWER;617W,ABS HB,GRAY,SVM-3012		1	
1-6	BP64-00098A	SCREEN-FRESNEL;617W,PMMA,T1.5,1381*790		1	
1-7	BP64-00099A	SCREEN-LENTI;61W,PMMA,T2.1,1381*790		1	
1-8	BP61-00097A	BRACKET-SCREEN,BOT;617W,SECC-1,T1.6,BL		1	S.N.A
1-9	BP61-00246A	BRACKET-SCREEN SIDE ASSY;DP,BP61-00160A,		2	S.N.A
1-10	BP61-00247A	BRACKET-SCREEN TOP ASSY;DP,BP61-00161A,6		1	S.N.A
1-11	BP67-00043A	MIRROR-FRONT,DM1;61,GLASS,1197*678*629,		1	
1-12	AA61-01168A	BRACKET-MIRROR(E1);B3K,SUS T=0.3		1	S.N.A
2-1	BP63-00061A	COVER-BACK;DP,BN63-00373C,61L2,MIJU,HIPS		1	S.N.A
3-1	AA64-00548D	CABINET-MAIN;43J6,HIPS,VO,G4309,SV-012P		1	
3-2	BP61-00104A	BRACKET-FRONT,R;617W,SECC-1,T1.6,CLR		1	S.N.A
3-3	BP61-00127A	BRACKET-FRONT,L;617W,SECC-1,T1.6,CLR		1	
3-4	BP60-00013A	SPACER-DUST COVER;,SPONGE PE FOAM BLK VO		1	S.N.A
3-5	AA61-00853B	BRACKET-SUPPORT,L;50J6,SECC-1,T1.6,NTR		1	
3-6	AA61-01202A	BRACKET-SUPPORT;507W,SECC-1,T1.6,NTR		1	
3-8	BP61-00105A	HOLDER-BACK,R;,HIPS VO,GRAY,DG-703P		1	
3-9	BP61-00106A	HOLDER-BACK,L;,HIPS VO,GRAY,DG-703P		1	
3-10	AA61-00165B	BRACKET-GRILLE;43J6,SECC-1,T1.0,-,-,BLK,		3	
3-11	3001-001144	SPEAKER;25W,7ohm,88dB,1.6KHz		2	
3-12	3001-001282	SPEAKER;25W,80HM,90DB,55HZ		2	
3-13	BP39-00044A	LEAD CONNECTOR;L62A/HLM507W,UL1007#22,UL		1	
3-14	AA39-00086A	LEAD CONNECTOR-ASSY;,2.2UF,REC,REC,200MM		2	
3-15	AA63-60117A	SPACER-FOOT;SVP403J,NEOPRENE,-,-,-,BLK,-		2	
3-16	BP96-00253A	ASSY COVER P-SUPPORT BACK;DP,AA61-01203A		1	S.N.A
3-17	AA61-00678B	HOLDER-BOSS;43/50L2,HIPS,NTR,HB		2	
3-18	BP96-00082A	ASSY COVER P-TERMINAL BOARD;HLM507W,HIPS		1	
3-19	BP64-00075A	INLAY-A/V;,PS SHEET,T0.3,DG703P		1	
4-1	AA64-02831A	CABINET-BACK,BOT;507W,HIPS,VO,GRY,G4309		1	
4-2	AA61-10379B	BRACKET-COVER;SP43J6,SECC-1,T1.0,-,-,-		1	S.N.A
4-3	AA61-01201A	BRACKET-DUCT,OUT;507W,SECC-1,T0.8,BLK		1	
4-4	AA63-00598A	COVER-LAMP;507W,HIPS,VO,GRY,G4309		1	
4-5	AA64-00578B	INLAY-LAMP;43J6,PS SHEET,T0.3,-,-,BLK,-		1	
5-1	BP96-00259A	ASSY COVER P-ENGINE MECHA;DP,BP96-00087B		1	S.N.A

7-2 HLN5065WX/XAA

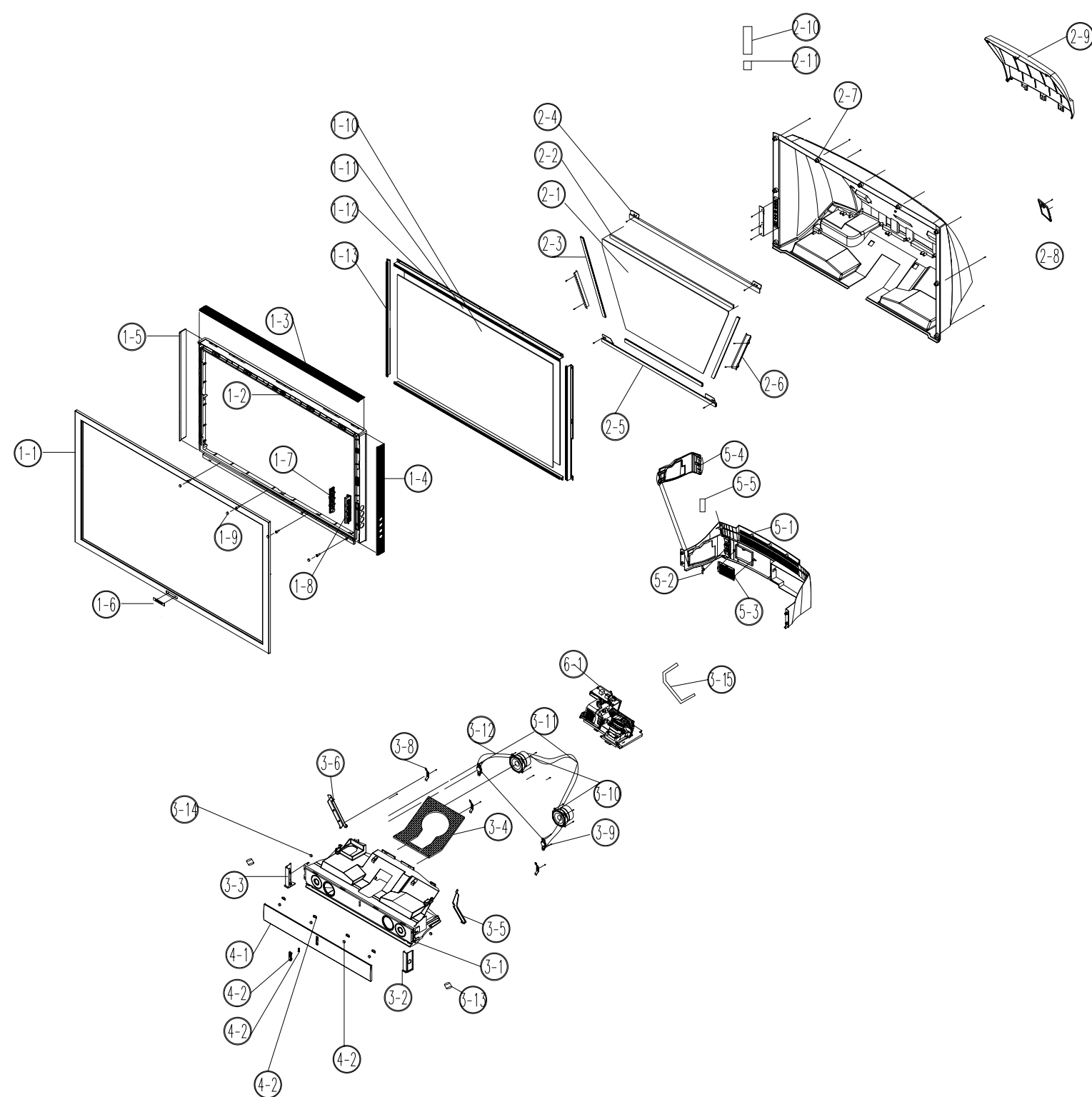
You can search for the updated part code through ITSELF web site.
 URL : <http://itself.sec.samsung.co.kr>



No	Code No	Description	Specification	Q'ty	S.N.A
1-1	AA64-01789G	CABINET-FRONT;50L2,MIJU,HIPS,HB,G4309,SV		1	S.N.A
1-2	AA64-01790B	CABINET-MIDDLE;50L2,HIPS,HB,G4309,SV-012		1	S.N.A
1-3	BP63-00032A	COVER-DECO, TOP;50L2,ABS,HB,BLK,SV-704P 1		1	S.N.A
1-4	BP63-00034A	COVER-DECO,L;50L2,ABS,HB,BLK,SV-704P 820		1	S.N.A
1-5	BP63-00036A	COVER-DECO,R;50L2,ABS,HB,BLK,SV-704P 820		1	S.N.A
1-6	AA64-00406K	BADGE-BRAND;AL,72,FORGING,SILVER,SAMSUN		1	S.N.A
1-7	AA64-01793B	KNOB-FAMILY;43L2,ABS,HB,G3676,SVM-3012		1	
1-8	AA64-01794B	KNOB-HOLDER;43L2,ABS,HB,G3676,VACCUM PLA		1	
1-10	AA67-00169A	SCREEN-LENTICULAR;50W,MS,T2.0,1128*647,-		1	
1-11	AA67-00172A	SCREEN-FRESNEL;50W,MS,T1.35,1128*647,-,-		1	
1-12	AA61-01138A	BRACKET-SCREEN, TOP;50,AL6063 EXTR,BLK		2	S.N.A
1-13	AA61-01139A	BRACKET-SCREEN, SIDE;50,AL6063 EXTR,BLK		2	S.N.A
2-1	BP67-00041A	MIRROR-FRONT,DM1;50, GLASS,922*547*512*3		1	
2-2	AA63-00021E	SPACER-MIRROR,SP-434JMF,PVC,-,-,BLK,-,		1	S.N.A
2-3	AA63-00021K	SPACER-MIRROR;50J6,PVC,BLK,HB L500		3	S.N.A
2-4	AA61-00443B	BRACKET-MIRROR, TOP;ST-50J6,SECC,T1.6,-,-		1	S.N.A
2-5	AA61-00445B	BRACKET-MIRROR,BOT;ST-50J6,SECC,T1.6,-,-		1	S.N.A
2-6	AA61-00444B	BRACKET-MIRROR, SIDE;ST-50J6,SECC,T1.6,-,		2	S.N.A
2-7	AA64-00698B	CABINET-BACK, TOP;50J6,HIPS,VO,GRY,G4309		1	
2-8	AA63-00212C	COVER-CONNECTOR;HIPS,VO,GRAY G4309		1	S.N.A
2-9	AA63-00196C	COVER-DUST;50J6,HIPS,VO,GRAY G4309		1	S.N.A
2-10	AA63-00599A	COVER-BACK;507W,HIPS,VO,GRY,G4309		1	S.N.A
2-11	BP64-00070A	INLAY-COVER,BACK;PS SHEET,T0.3		1	
3-1	AA64-00548D	CABINET-MAIN;43J6,HIPS,VO,G4309,SV-012P		1	S.N.A
3-2	BP61-00082A	HOLDER-FRONT,RIGHT;507W,HIPS HB,GRAY		1	S.N.A
3-3	BP61-00083A	HOLDER-FRONT,LEFT;507W,HIPS HB,GRAY		1	S.N.A
3-4	AA60-00033B	SPACER-LENS;43J6,P/U-FOAM V0 D45,BLK,T3.		1	S.N.A
3-5	AA61-00853B	BRACKET-SUPPORT,L;50J6,SECC-1,T1.6,NTR		1	S.N.A
3-6	AA61-01202A	BRACKET-SUPPORT;507W,SECC-1,T1.6,NTR		1	
3-8	BP61-00084A	HOLDER-BACK,RIGHT;507W,HIPS VO,GRAY		1	S.N.A
3-9	BP61-00085A	HOLDER-BACK,LEFT;507W,HIPS VO,GRAY		1	S.N.A
3-10	AA61-00165B	BRACKET-GRILLE;43J6,SECC-1,T1.0,-,-,BLK,		5	S.N.A
3-11	3001-001144	SPEAKER;25W,7ohm,88dB,1.6KHz		2	
3-12	3001-001282	SPEAKER;25W,80HM,90DB,55HZ		2	
3-13	BP39-00044A	LEAD CONNECTOR;L62A/HLM507W,UL1007#22,UL		1	
3-14	AA39-00086A	LEAD CONNECTOR-ASSY;2.2UF,REC,REC,200MM		2	
3-15	AA63-60117A	SPACER-FOOT;SVP403J,NEOPRENE,-,-,BLK,-		2	S.N.A
3-16	AA61-01203A	BRACKET-SUPPORT,BACK;507W,SECC-1,T1.6,BL		1	
3-17	AA61-00678B	HOLDER-BOSS;50J6,HIPS,NTR,HB		2	S.N.A
3-18	BP96-00082A	ASSY COVER P-TERMINAL BOARD;HLM507W,HIPS		1	
3-19	BP64-00075A	INLAY-A/V;PS SHEET,T0.3		1	S.N.A
4-1	BP64-00096E	WINDOW-LED;507W,ACRLY,T2.0,TAPE WF-724,H		1	S.N.A
4-2	BP63-00013A	COVER-DECO,LED;507W,ABS HB,BLK		1	S.N.A
4-3	BP64-00071A	INDICATOR LED;507W,ACRYL		1	S.N.A
4-4	BP63-00012A	COVER-GRILLE;507W,ABS,HB,GRAY		1	S.N.A
4-5	AA61-00206A	MAGNET-GRILLE;43J6,P115X3T,-,-,-		6	S.N.A
4-6	AA61-00650B	HOLDER-MAGNET, TOP;TOOL,50,MOLD		6	
5-1	AA64-02831A	CABINET-BACK,BOT;507W,HIPS,VO,GRY,G4309		1	
5-2	AA61-10379B	BRACKET-COVER,SP43J6,SECC-1,T1.0,-,-,-		1	S.N.A
5-3	AA61-01201A	BRACKET-DUCT,OUT;507W,SECC-1,TO.8,BLK		1	
5-4	AA63-00598A	COVER-LAMP;507W,HIPS,VO,GRY,G4309		1	S.N.A
5-5	AA64-00578B	INLAY-LAMP;43J6,PS SHEET,T0.3,-,-,BLK,-		1	S.N.A
6-1	BP96-00087A	ASSY MISC P-ENGINE,MECHA;HLM507WX/XAA,L6		1	

7-3 HLN4365WX/XAA

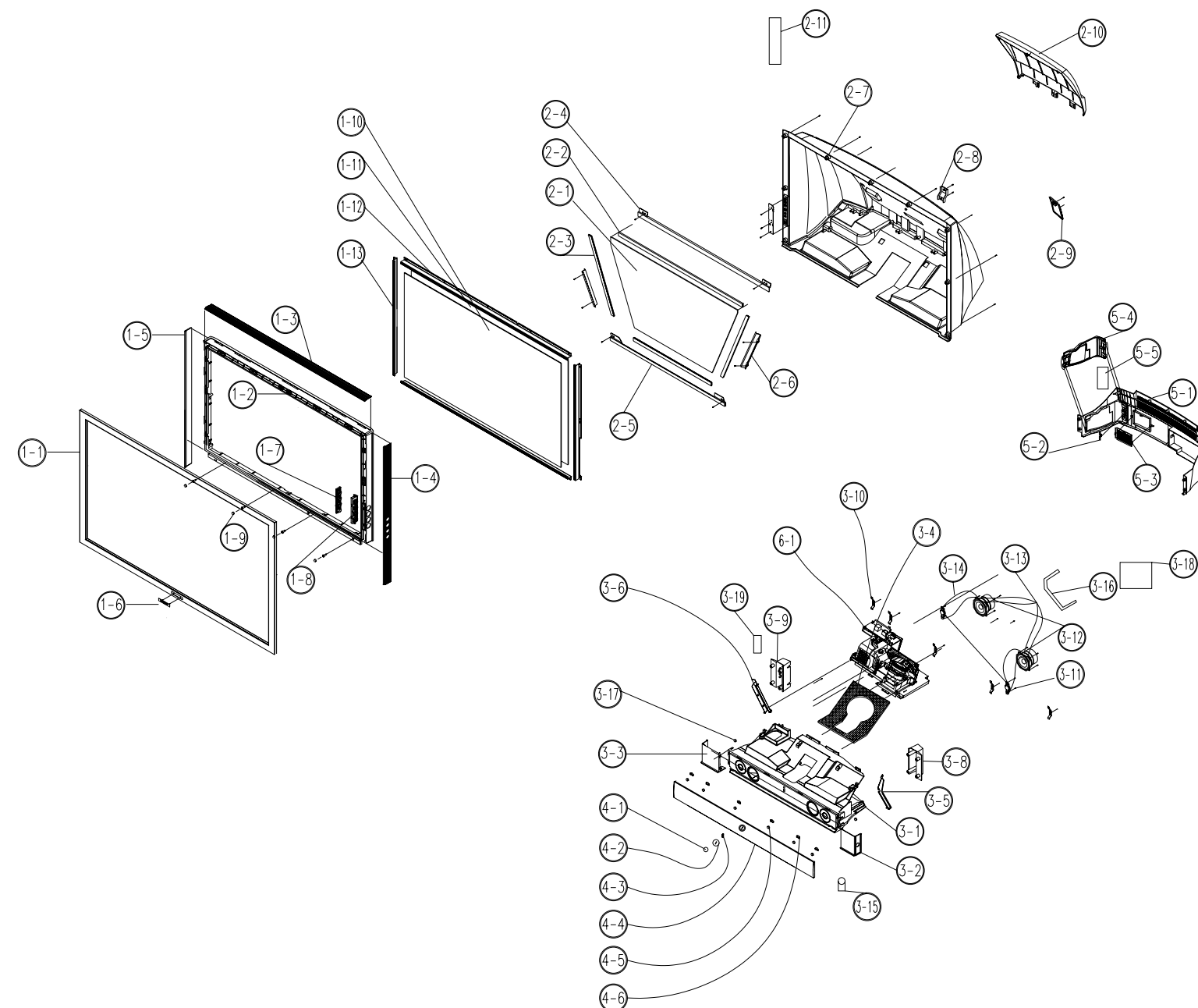
You can search for the updated part code through ITSELF web site.
URL : <http://itself.sec.samsung.co.kr>



No	Code No	Description	Specification	Q'ty	S.N.A
1-1	AA64-01788K	CABINET-FRONT;43L2,XAA,HIPS,HB,G4309,SVO		1	
1-2	AA64-01791B	CABINET-MIDDLE;43L2,HIPS,HB,G4309,SV-012		1	S.N.A
1-3	BP63-00031A	COVER-DECO, TOP;43L2,ABS,HB,BLK,SV-704P,		1	S.N.A
1-4	BP63-00035A	COVER-DECO,R;43L2,ABS,HB,BLK,SV-704P, 71		1	S.N.A
1-5	BP63-00033A	COVER-DECO,L;43L2,ABS,HB,BLK,SV-704P, 71		1	S.N.A
1-6	AA64-00406K	BADGE-BRAND;AL,72,FORGING,SILVER,SAMSUN		1	S.N.A
1-7	AA64-01793B	KNOB-FAMILY;43L2,ABS,HB,G3676,SVM-3012		1	
1-8	AA64-01794B	KNOB-HOLDER;43L2,ABS,HB,G3676,VACCUM PLA		1	
1-9	AA60-00050A	SPACER-FRONT;43J6,NEOPRENE HB,-,-,-,GRAY		4	S.N.A
1-10	AA67-00168A	SCREEN-LENTICULAR;43W,MS,T2.0,973*558,-,-,		1	
1-11	AA67-00171A	SCREEN-FRESNEL;43W,MS,T1.35,973*558,-,-,		1	
1-12	AA61-01136A	BRACKET-SCREEN, TOP;43,AL6063 EXTR,BLK		2	
1-13	AA61-01137A	BRACKET-SCREEN, SIDE;43,AL6063 EXTR,BLK		2	
2-1	BP67-00040A	MIRROR-FRONT,DM1;43,GLASS,810*472*434,F		1	
2-2	AA63-00021J	SPACER-MIRROR;43J6,PVC,-,-,-,BLK,-,-,L81		1	S.N.A
2-3	AA63-00021G	SPACER-MIRROR;524J,434J,PVC,-,-,-,BLK,-,-,		3	S.N.A
2-4	AA61-00184B	BRACKET-MIRROR, TOP;43J6,SECC-1,T1.6,-,-,		1	S.N.A
2-5	AA61-00182B	BRACKET-MIRROR, FLCD;43J6,SECC-1,T1.6,-,-,		1	S.N.A
2-6	AA61-00361B	BRACKET-SIDE, FLCD;43J6,SECC-1,T1.0,-,-,B		2	S.N.A
2-7	AA64-00546C	CABINET-BACK, TOP;43L2,HIPS,VO,G4309		1	
2-8	AA63-00157C	COVER-DUST;43L2,HIPS,VO,G4309		1	S.N.A
2-9	AA63-00599A	COVER-BACK;507W,HIPS,VO,GRY,G4309		1	S.N.A
2-10	AA64-00890F	INLAY-CONTROL;50L2,PS-SHEET,TO.3		1	
2-11	AA60-00047B	SPACER-SIDE, JACK;43L2,NEOPRENE,GRAY,VO		1	S.N.A
3-1	AA64-00548D	CABINET-MAIN;43J6,HIPS,VO,G4309,SV-012P		1	S.N.A
3-2	AA61-00652B	HOLDER-SIDE,R;43L2,HIPS,G4309,HB SV-012P		1	S.N.A
3-3	AA61-00655B	HOLDER-SIDE,L;43L2,HIPS,G4309,HB SV-012P		1	S.N.A
3-4	AA60-00033B	SPACER-LENS;43J6,P/U-FOAM VO D45,BLK,T3.		1	S.N.A
3-5	AA61-00853B	BRACKET-SUPPORT,L;50J6,SECC-1,T1.6,NTR		1	S.N.A
3-6	AA61-01202A	BRACKET-SUPPORT;507W,SECC-1,T1.6,NTR		1	
3-8	AA61-00165B	BRACKET-GRILLE;43J6,SECC-1,T1.0,-,-,BLK,		3	S.N.A
3-9	3001-001144	SPEAKER;25W,7ohm,88dB,1.6KHz		2	
3-10	3001-001282	SPEAKER;25W,80HM,90DB,55HZ		2	
3-11	BP39-00044A	LEAD CONNECTOR;L62A/HLM507W,UL1007#22,UL		1	
3-12	AA39-00086A	LEAD CONNECTOR-ASSY;2.2UF,REC,REC,200MM		2	
3-13	AA63-60117A	SPACER-FOOT;SVP403J,NEOPRENE,-,-,-,BLK,-		2	S.N.A
3-14	AA61-00678B	HOLDER-BOSS;50J6,HIPS,NTR,HB		2	S.N.A
3-15	AA61-01203A	BRACKET-SUPPORT,BACK;507W,SECC-1,T1.6,BL		1	
4-1	AA64-00406K	BADGE-BRAND;AL,72,FORGING,SILVER,SAMSUN		1	S.N.A
4-2	AA61-00651B	HOLDER-MAGNET,BOT;50L2,ABS,G3676,HB		4	S.N.A
4-3	AA61-00206A	MAGNET-GRILLE;43J6,P115X3T,-,-,-,		4	S.N.A
4-4	BP64-00071A	INDICATOR LED;507W,ACRYL 1		S.N.A	
4-5		HOLDER-INDICATOR;43L2,ABS,G3676,HB VACCU		1	
5-1	AA64-02831A	CABINET-BACK,BOT;507W,HIPS,VO,GRY,G4309		1	
5-2	AA61-10379B	BRACKET-COVER;SP43J6,SECC-1,T1.0,-,-,-,		1	S.N.A
5-3	AA61-01201A	BRACKET-DUCT,OUT;507W,SECC-1,TO.8,BLK		1	
5-4	AA63-00598A	COVER-LAMP;507W,HIPS,VO,GRY,G4309		1	S.N.A
5-5	AA64-00578B	INLAY-LAMP;43J6,PS SHEET,TO.3,-,-,BLK,-		1	S.N.A
6-1	BP96-00087C	ASSY MISC P-ENGINE MECHA;43 DLP,ENGINE,		1	

7-4 HLN507WX/XAA

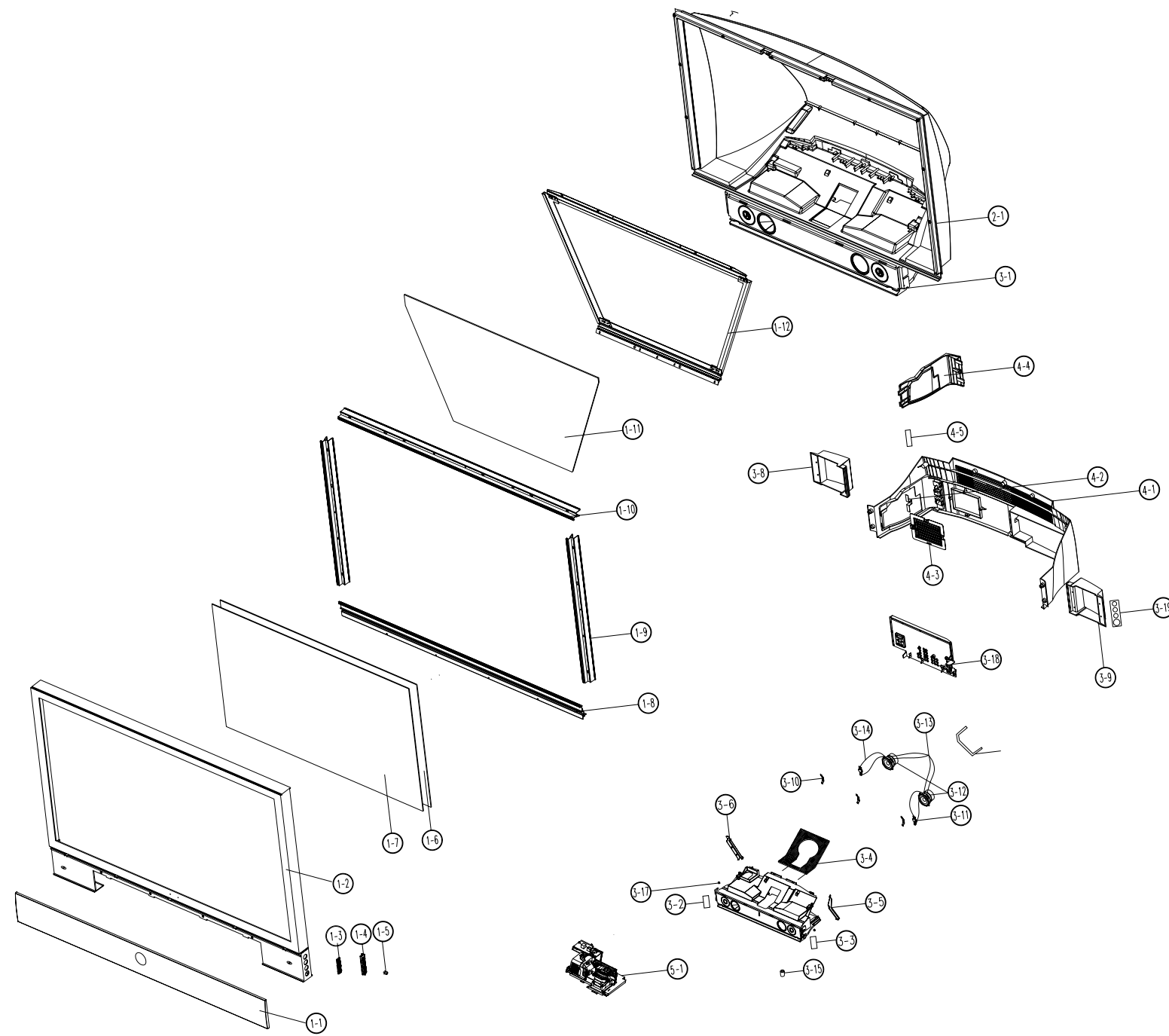
You can search for the updated part code through ITSELF web site.
 URL : <http://itself.sec.samsung.co.kr>



No	Code No	Description	Specification	Q'ty	S.N.A
1-1	AA64-01789H	CABINET-FRONT;50L2,MIJU,HIPS,HB,G4309,DG		1	S.N.A
1-2	AA64-01790B	CABINET-MIDDLE;50L2,HIPS,HB,G4309,SV-012		1	S.N.A
1-3	BP63-00032A	COVER-DECO, TOP;50L2,ABS,HB,BLK,SV-704P 1		1	S.N.A
1-4	BP63-00034A	COVER-DECO,L;50L2,ABS,HB,BLK,SV-704P 820		1	S.N.A
1-5	BP63-00036A	COVER-DECO,R;50L2,ABS,HB,BLK,SV-704P 820		1	S.N.A
1-6	BP64-00199A	BADGE-BRAND;PJLCD,AL,T1.5,72,12.5,,DGN-S		1	S.N.A
1-7	AA64-01793B	KNOB-FAMILY;43L2,ABS,HB,G3676,SVM-3012		1	
1-8	AA64-01794B	KNOB-HOLDER;43L2,ABS,HB,G3676,VACCUM PLA		1	
1-10	AA67-00169A	SCREEN-LENTICULAR;50W,MS,T2.0,1128*647,-		1	
1-11	AA67-00172A	SCREEN-FRESNEL;50W,MS,T1.35,1128*647,-,-		1	
1-12	AA61-01138A	BRACKET-SCREEN, TOP;50,AL6063 EXTR,BLK		2	S.N.A
1-13	AA61-01139A	BRACKET-SCREEN, SIDE;50,AL6063 EXTR,BLK		2	S.N.A
2-1	BP67-00041A	MIRROR-FRONT,DM1;50,GLASS,922*547*512*3		1	
2-2	AA63-00021E	SPACER-MIRROR;SP-434JMF,PVC,-,-,-,BLK,-,-		1	S.N.A
2-3	AA63-00021K	SPACER-MIRROR;50J6,PVC,BLK,HB L500		3	S.N.A
2-4	AA61-00443B	BRACKET-MIRROR, TOP;ST-50J6,SECC,T1.6,-,-		1	S.N.A
2-5	AA61-00445B	BRACKET-MIRROR,BOT;ST-50J6,SECC,T1.6,-,-		1	S.N.A
2-6	AA61-00444B	BRACKET-MIRROR, SIDE;ST-50J6,SECC,T1.6,-,-		2	S.N.A
2-7	AA64-00698B	CABINET-BACK, TOP;50J6,HIPS,VO,GRY,G4309		1	
2-8	AA63-00212C	COVER-CONNECTOR;;HIPS,VO,GRAY G4309		1	S.N.A
2-9	AA63-00196C	COVER-DUST;50J6,HIPS,VO,GRAY G4309		1	S.N.A
2-10	AA63-00599A	COVER-BACK;507W,HIPS,VO,GRY,G4309		1	S.N.A
2-11	BP64-00070A	INLAY-COVER, BACK;;PS SHEET,TO.3		1	
3-1	AA64-00548D	CABINET-MAIN;43J6,HIPS,VO,G4309,SV-012P		1	S.N.A
3-2	BP61-00082A	HOLDER-FRONT,RIGHT;507W,HIPS HB,GRAY		1	S.N.A
3-3	BP61-00083A	HOLDER-FRONT,LEFT;507W,HIPS HB,GRAY		1	S.N.A
3-4	AA60-00033B	SPACER-LENS;43J6,P/U-FOAM VO D45,BLK,T3.		1	S.N.A
3-5	AA61-00853B	BRACKET-SUPPORT,L;50J6,SECC-1,T1.6,NTR		1	S.N.A
3-6	AA61-01202A	BRACKET-SUPPORT;507W,SECC-1,T1.6,NTR		1	
3-8	BP61-00084A	HOLDER-BACK,RIGHT;507W,HIPS VO,GRAY		1	S.N.A
3-9	BP61-00085A	HOLDER-BACK,LEFT;507W,HIPS VO,GRAY		1	S.N.A
3-10	AA61-00165B	BRACKET-GRILLE;43J6,SECC-1,T1.0,-,-,BLK,		5	S.N.A
3-11	3001-001144	SPEAKER;25W,7ohm,88dB,1.6KHz		2	
3-12	3001-001282	SPEAKER;25W,8OHM,90DB,55HZ		2	
3-13	BP39-00044A	LEAD CONNECTOR;L62A/HLM507W,UL1007#22,UL		1	
3-14	AA39-00086A	LEAD CONNECTOR-ASSY;;2.2UF,REC,REC,200MM		2	
3-15	AA63-60117A	SPACER-FOOT;SVP403J,NEOPRENE,-,-,-,BLK,-		2	S.N.A
3-16	AA61-01203A	BRACKET-SUPPORT,BACK;507W,SECC-1,T1.6,BL		1	
3-17	AA61-00678B	HOLDER-BOSS;50J6,HIPS,NTR,HB		2	S.N.A
3-18	BP96-00082A	ASSY COVER P-TERMINAL BOARD;HLM507W,HIPS		1	
3-19	BP64-00075A	INLAY-A/V;;PS SHEET,TO.3		1	S.N.A
4-1	BP64-00096E	WINDOW-LED;507W,ACRLY,T2.0,TAPE WF-724,H		1	S.N.A
4-2	BP63-00013A	COVER-DECO,LED;507W,ABS HB,BLK		1	S.N.A
4-3	BP64-00071A	INDICATOR LED;507W,ACRYL 1		1	S.N.A
4-4	BP63-00012A	COVER-GRILLE;507W,ABS,HB,GRAY		1	S.N.A
4-5	AA61-00206A	MAGNET-GRILLE;43J6,PI115X3T,-,-,-,-		6	S.N.A
4-6	AA61-00650B	HOLDER-MAGNET, TOP;TOOL,50,MOLD		6	
5-1	AA64-02831A	CABINET-BACK, BOT;507W,HIPS,VO,GRY,G4309		1	
5-2	AA61-10379B	BRACKET-COVER;SP43J6,SECC-1,T1.0,-,-,-,-		1	S.N.A
5-3	AA61-01201A	BRACKET-DUCT,OUT;507W,SECC-1,TO.8,BLK		1	
5-4	AA63-00598A	COVER-LAMP;507W,HIPS,VO,GRY,G4309		1	S.N.A
5-5	AA64-00578B	INLAY-LAMP;43J6,PS SHEET,TO.3,-,-,BLK,-		1	S.N.A
6-1	BP96-00087A	ASSY MISC P-ENGINE MECHA;50 DLP,ENGINE,		1	

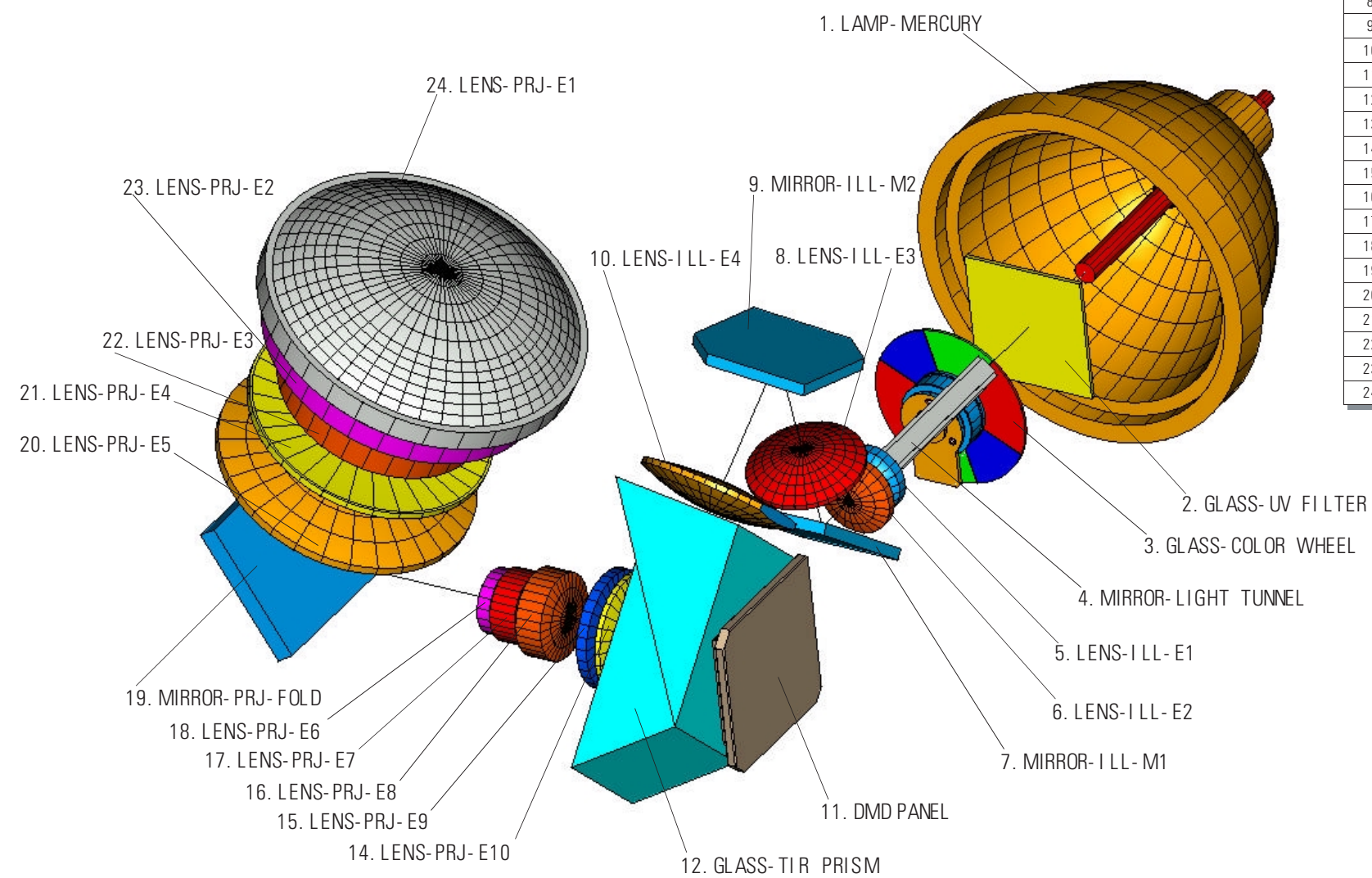
7-5 HLN617WX/XAA

You can search for the updated part code through ITSELF web site.
URL : <http://itself.sec.samsung.co.kr>



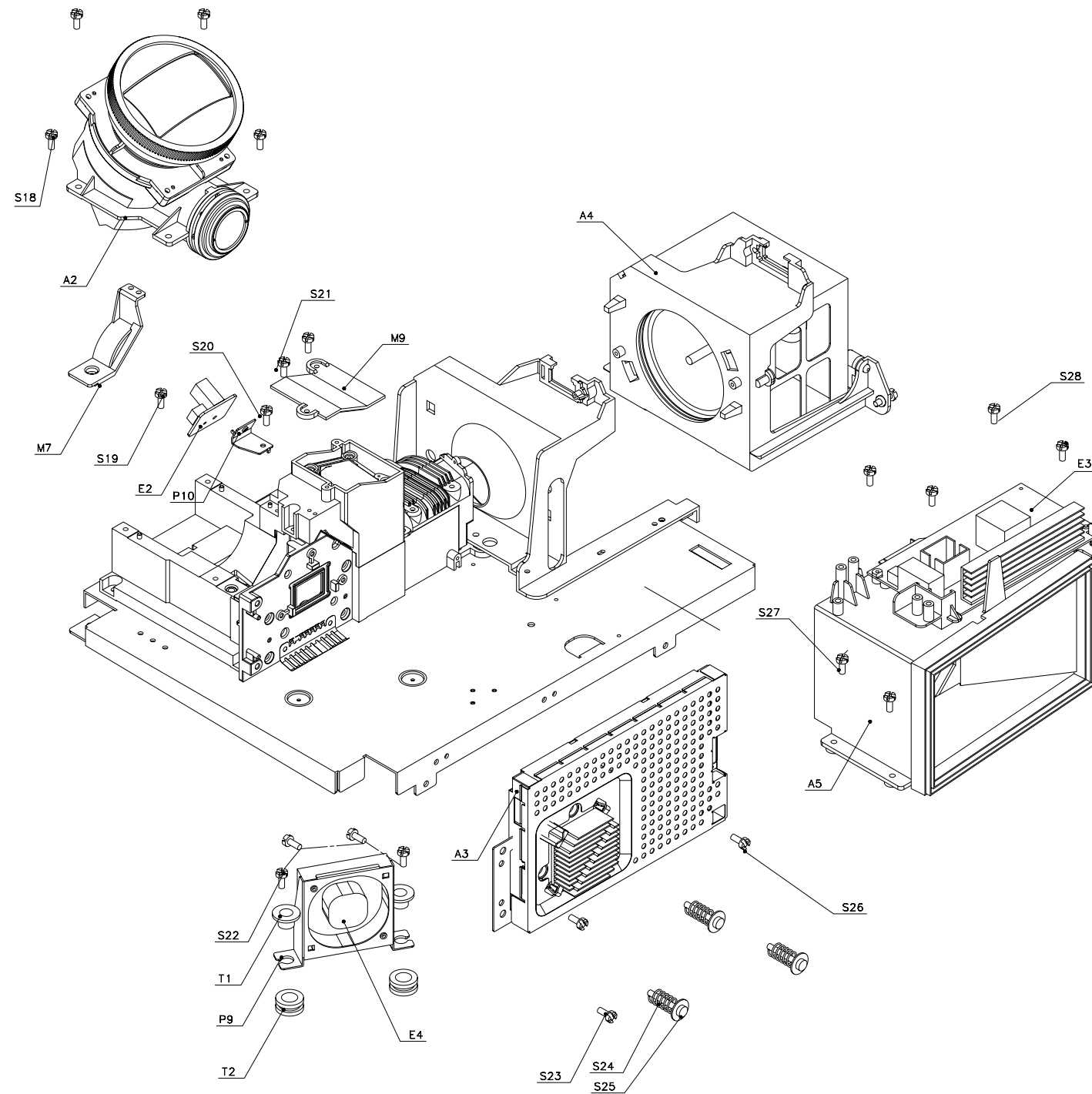
No	Code No	Description	Specification	Q'ty	S.N.A
1-1	BP96-00157H	ASSY COVER P-GRILLE;61L2,MIJU,HIPS,HB,GR		1	S.N.A
1-2	BP96-00158H	ASSY COVER P-FRONT;61L2HIPS,HB,GRY,XAA		1	S.N.A
1-3	BP64-00072A	KNOB-FAMILY;617W,ABS HB,GRAY		1	
1-4	BP64-00074A	KNOB-HOLDER;617W,ABS HB,GRAY		1	
1-5	BP64-00073A	KNOB-POWER;617W,ABS HB,GRAY,SVM-3012		1	
1-6	BP64-00098A	SCREEN-FRESNEL;617W,PMMA,T1.5,1381*790		1	
1-7	BP64-00099A	SCREEN-LENTI;61W,PMMA,T2.1,1381*790		1	
1-8	BP61-00162A	BRACKET-SCREEN-BOT,ASSY;617W,AL 6063 EXT		1	S.N.A
1-9	BP61-00160A	BRACKET-SCREEN-SIDE,ASSY;617W,AL6063 EXT		2	S.N.A
1-10	BP61-00161A	BRACKET-SCREEN-TOP,ASSY;617W,AL6063 EXTR		1	S.N.A
1-11	BP67-00043A	MIRROR-FRONT,DM1;61,GLASS,1197*678*629,		1	
1-12	BP61-00151A	BRACKET-MIRROR,ASSY;617W,BLK		1	S.N.A
2-1	BN63-00373C	COVER-BACK;61W DLP,HIPS,VO,GRAY,DG-703P		1	S.N.A
3-1	AA64-00548D	CABINET-MAIN;43J6,HIPS,VO,G4309,SV-012P		1	
3-2	BP61-00104A	BRACKET-FRONT,R;617W,SECC-1,T1.6,CLR		1	S.N.A
3-3	BP61-00127A	BRACKET-FRONT,L;617W,SECC-1,T1.6,CLR		1	
3-4	BP60-00013A	SPACER-DUST COVER;,SPONGE PE FOAM BLK VO		1	S.N.A
3-5	AA61-00853B	BRACKET-SUPPORT,L;50J6,SECC-1,T1.6,NTR		1	
3-6	AA61-01202A	BRACKET-SUPPORT;507W,SECC-1,T1.6,NTR		1	
3-8	BP61-00105A	HOLDER-BACK,R;HIPS VO,GRAY,DG-703P		1	
3-9	BP61-00106A	HOLDER-BACK,L;HIPS VO,GRAY,DG-703P		1	
3-10	AA61-00165B	BRACKET-GRILLE;43J6,SECC-1,T1.0,-,-,BLK,		3	
3-11	3001-001144	SPEAKER;25W,7ohm,88dB,1.6KHz		2	
3-12	3001-001282	SPEAKER;25W,80HM,90DB,55HZ		2	
3-13	BP39-00044A	LEAD CONNECTOR;L62A/HLM507W,UL1007#22,UL		1	
3-14	AA39-00086A	LEAD CONNECTOR-ASSY;,2.2UF,REC,REC,200MM		2	
3-15	AA63-60117A	SPACER-FOOT;SVP403J,NEOPRENE,-,-,BLK,-		2	
3-16	BP96-00139A	ASSY MISC P-SUPPORT BACK;507W		1	S.N.A
3-17	AA61-00678B	HOLDER-BOSS;43/50L2,HIPS,NTR,HB		2	
3-18	BP96-00082A	ASSY COVER P-TERMINAL BOARD;HLM507W,HIPS		1	
3-19	BP64-00075A	INLAY-A/V;,PS SHEET,T0.3,DG703P		1	
4-1	AA64-02831A	CABINET-BACK,BOT;507W,HIPS,VO,GRY,G4309		1	
4-2	AA61-10379B	BRACKET-COVER;SP43J6,SECC-1,T1.0,-,-,-		1	S.N.A
4-3	AA61-01201A	BRACKET-DUCT,OUT;507W,SECC-1,T0.8,BLK		1	
4-4	AA63-00598A	COVER-LAMP;507W,HIPS,VO,GRY,G4309		1	
4-5	AA64-00578B	INLAY-LAMP;43J6,PS SHEET,T0.3,-,-,BLK,-		1	
5-1	BP96-00087B	ASSY MISC P-ENGINE MECHA;61 DLP,ENGINE,		1	S.N.A

7-6 Exploded View of Optic



NO.	CODE NO.	DESCRIPTION	QUANTITY	REMARK
1. 1	AA47- 00007A	LAMP- MERCURY-TS	1	
1. 2	AA47- 00005A	LAMP- MERCURY-OS	1	
2	BN64- 00094A	GLASS- UV FILTER	1	
3	BN64- 00092A	GLASS- COLOR WHEEL	1	
4	BN67- 00058A	MIRROR- LIGHT TUNNEL	1	
5	BN67- 00061A	LENS- I LL- E1	1	
6	BN67- 00062A	LENS- I LL- E2	1	
7	BN67- 00059A	MIRROR- I LL- M1	1	
8	BN67- 00063A	LENS- I LL- E3	1	
9	BN67- 00060A	MIRROR- I LL- M2	1	
10	BN67- 00064A	LENS- I LL- E4	1	
11	4719- 001079	DMD PANEL	1	
12	BN64- 00093A	GLASS- TIR PRISM	1	
13	BP67- 00032A	LENS- PRJ- ASSY	1	ASSY OF LENS- PRJ- E1~E10 & MIRROR- RPJ- FOLD
14	-	LENS- PRJ- E10	1	
15	-	LENS- PRJ- E9	1	
16	-	LENS- PRJ- E8	1	
17	-	LENS- PRJ- E7	1	
18	-	LENS- PRJ- E6	1	
19	-	MIRROR- PRJ- FOLD	1	
20	-	LENS- PRJ- E5	1	
21	-	LENS- PRJ- E4	1	
22	-	LENS- PRJ- E3	1	
23	-	LENS- PRJ- E2	1	
24	AA67- 00183A	LENS- PRJ- E1	1	ASPHERICAL LENS

Exploded View & Parts List



T3		AA60-00150A		SPACER RUBBER-PRISM	RUBBER	2
2		BN67-00064A		LENS-ILL-E4	PI=42,R1=98,281,R2=54,766,BSC7,T=8	
S3	B/L+H/P	6001-000871		SCREW-MACHINE	BH,+,M2,L6,ZPC(YEL),SWRCH10R	4
A3		BP96-00249A		ASS'Y-DMD PANEL		
S24		AA61-01195A		SPRING COIL-DMD		3
S25	D/P+AHP	6001-000942		SCREW-MACHINE	PH,+,M3,L30,ZPC(YEL),SWRCH10A	3
P1		AA61-01169A		BRKT-ENGINE BOTTOM	SECC t=1.6	1
M1		AA61-01182A		BASE-ENGINE	PC+GF30%	1
P5		AA61-01178A		SPRING-L/T	SUS T+0.2	1
M7		AA63-00582A		COVER-DUST	ABS VO	1
P6		BP63-00018A		SHIELD-OFF LIGHT	SECC t=1.0	1
P9		MD60-00003		SPACER-RUBBER		1
E4		BP31-00002A		SUB FAN	60x60x15	1
		BP60-00013A		SPACER DUST COVER	SPONGE PE FOAM BLK VO	1
		BP60-00013B		SPACER DUST COVER	SPONGE PE FOAM BLK VO	1
		BN63-00420A		COVER DUST-ENGINE	PC+ABS	1
		BN65-00001A		CLAMP-CORE	NYLON 66 DAQC105	2
		BP60-00013B		SPACER-DUST COVER	SPONGE PE FOAM VO BLK(280mm)	1
		AA65-30105C		CLAMP WIRE	NYLON 66	1
		AA61-00097A		HOLDER-WIRE	NYLON 66	1
		AA65-30010B		CLAMP-WIRE	NYLON 66	1
		AA61-20129B		HOLDER-WIRE CLAMP	NYLON 66	1
3		BN67-00058A		MIRROR-LIGHT TUNNEL		1
5		BN67-00061A		LENS-ILL-E2		1
4		BN67-00062A		LENS-ILL-E1		1
1		BN67-00059A		MIRROR-ILL-M1	GLASS,41x28,NTR,T3,FRONT COATING	1
6		BN64-00093A		GLASS-TIR PRISM	BSC7,T36,53,45x38,NTR	1
S11	E/B+BBE	6001-001627		SCREW-MACHINE	PWH,+,M4,L12,ZPC(YEL),SWRCH18A,FP	7
S18	HLB+BBE	6001-001627		SCREW-MACHINE	PWH,+,M4,L12,ZPC(YEL),SWRCH18A,FP	4
S6	SLT+B/E	6003-000257		SCREW-TAPTITE	PH,+,M2,L6,ZPC(YEL),SM20C	5
S22	FAN+BSF	6003-000279		SCREW-TAPTITE	BH,+,M3,B,L20,ZPC(YEL)	2
S22	BSF+BBE	6003-000279		SCREW-TAPTITE	BH,+,M3,B,L20,ZPC(YEL)	2
S26	BOL+B/E	6003-000259		SCREW-TAPTITE	BH,+,B,M3,L8,ZPC(YEL)	1
S5	ACW+B/E	6003-000259		SCREW-TAPTITE	BH,+,B,M3,L8,ZPC(YEL)	3
S29	ACC+B/E			SCREW-TAPTITE	BH,+,B,M3,L8,ZPC(YEL)	3

< 50" : 61" Optical materials >

50" DLP			61" DLP		
MAKER	DESCRIPTION	CODE NO	MAKER	DESCRIPTION	CODE NO
HTL	LAMP-MERCURY-TS	AA47-00007A	OSRAM	LAMP-MERCURY-OS	BP47-00002A
HTL	LAMP-BALLAST-TS	AA47-00008A	OSRAM	LAMP-BALLAST-OS	BP47-00003A
OCLI	50"W MIRROR-FRONT	BP67-00033A	OCLI	61"W MIRROR-FRONT	BP67-00035A
TOPPAN	50" LENTI	AA67-00169A	TOPPAN	61" LENTI	BP64-00099A
TOPPAN	50" FRESNEL	AA67-00172A	TOPPAN	61" FRESNEL	BP64-00098A